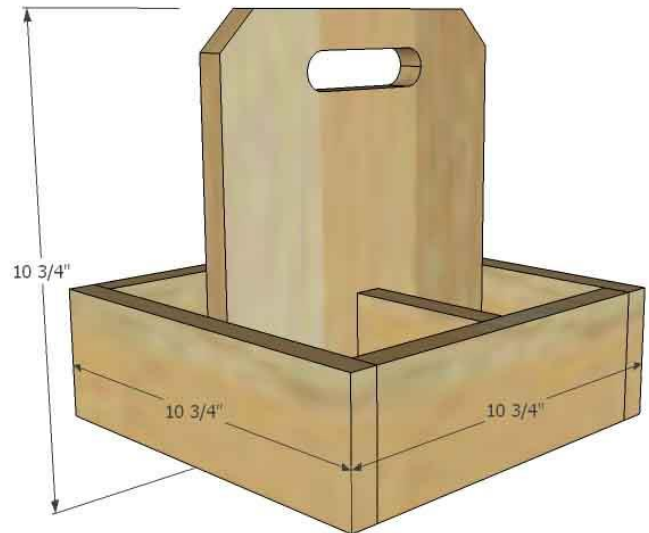
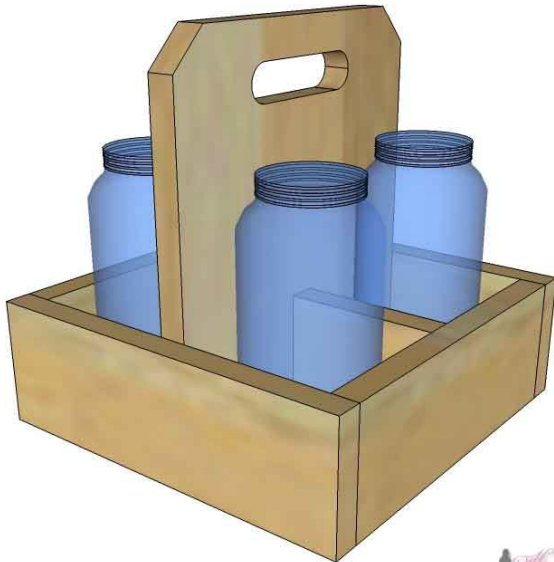


Square Planter Box Caddy (Mason Jar Centerpiece)



Materials

- 1 - 1" x 10" x (2' or longer) board (actually 3/4" x 9 1/4")
- 1 - 1" x 4" x 8' board (actually 3/4" x 3 1/2")
- 4 - quart mason jars
- 1 1/2 - 1 5/8" screws (I used 1 5/8" deck screws)
- 1 1/4" pocket screws (optional)
- wood glue

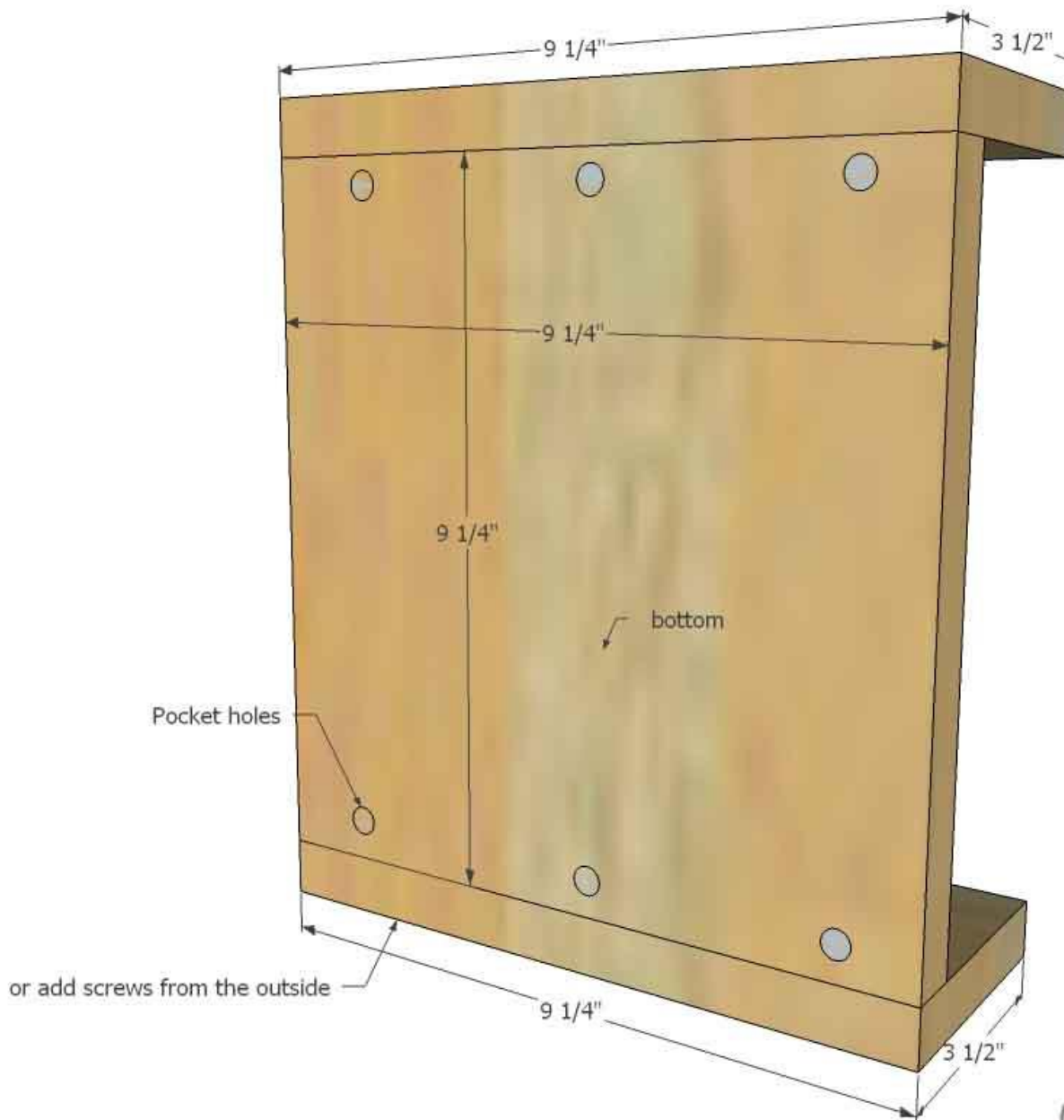
Cut List

- 1 - 3/4" x 9 1/4" x 10"
- 1 - 3/4" x 9 1/4" x 9 1/4"
- 2 - 3/4" x 3 1/2" x 10 3/4"
- 2 - 3/4" x 3 1/2" x 9 1/4"
- 2 - 3/4" x 2 3/4" x 4 1/4"

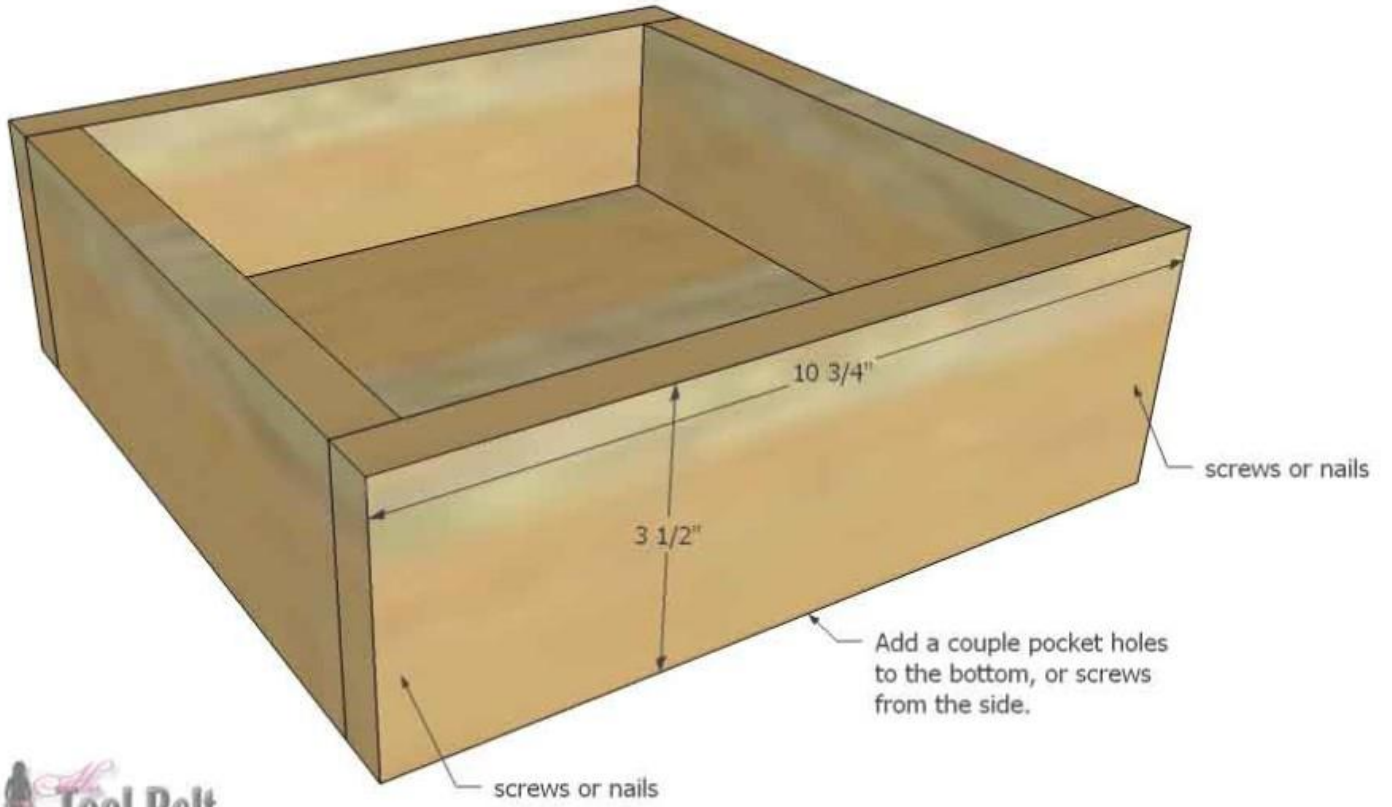
Note: I used barn wood to build my caddy, and the thickness is slightly thicker than 3/4". If you are also using barn wood double check your thickness and make adjustments as necessary.

I wanted to limit the number of screw heads showing, so I drilled [pocket holes](#) (affiliate) in the bottom piece. If you don't care or don't have a pocket hole jig, add screws through the side. Pre-drill the holes before adding screws to reduce wood splitting.

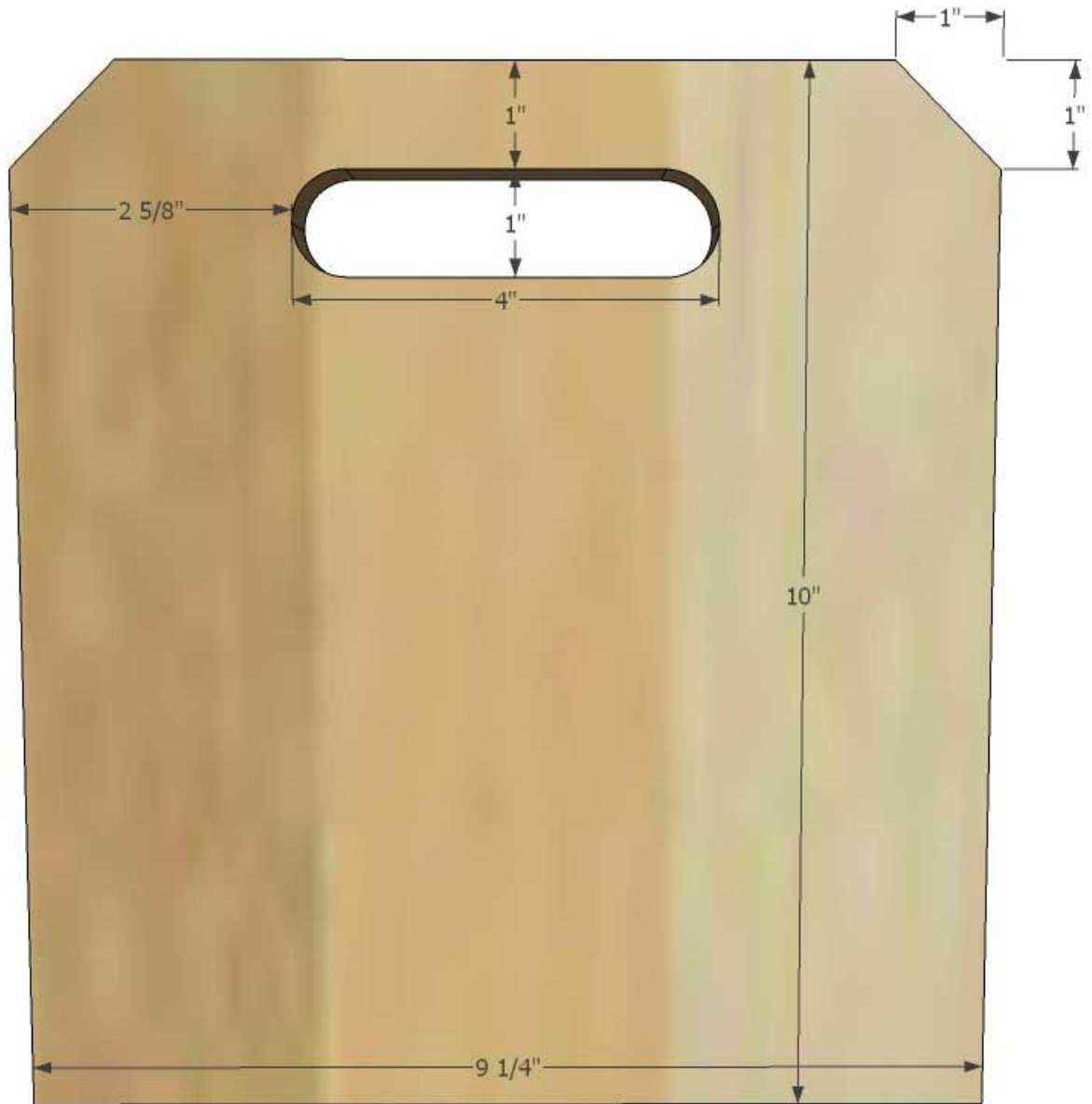
Glue the sides and secure to the bottom piece, making the bottoms flush.



Glue the sides, secure to the sides and bottom piece, making the bottoms flush.



To make the handle, measure down at least 1" from the top and 2 5/8" from the sides. Drill 1" holes on each side, a spade drill bit works great. Use a jig saw to cut the straight portion of the handle out between the holes. Cut off a few 45 deg dog ears from the top corners, about 1" x 1".



Glue the handle to the center of the planter box, also glue in the small divider pieces. Add screws to the sides and bottom securing the pieces into place.

